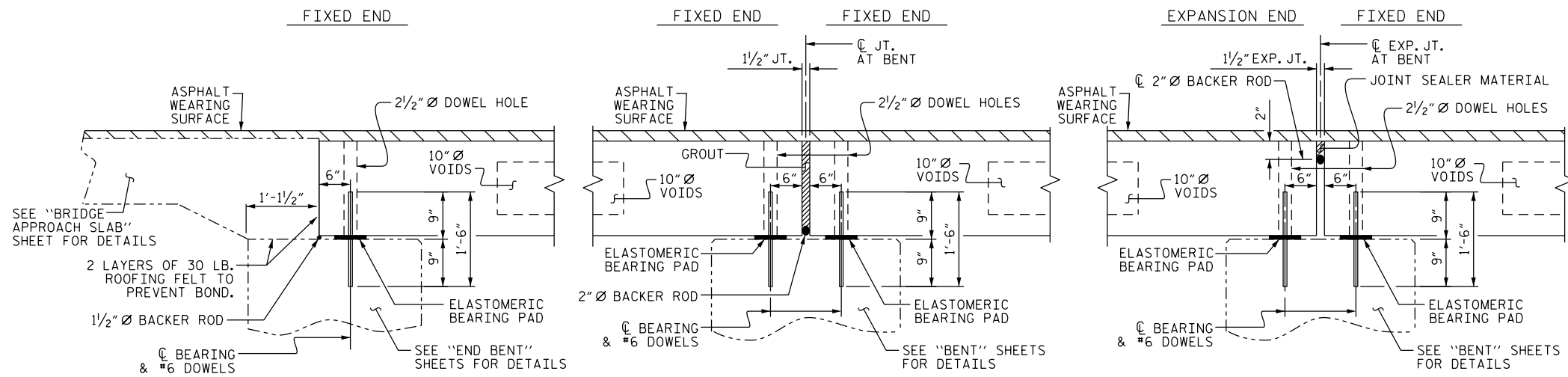


PART PLAN-EXTERIOR SECTION

NOTE: EXTERIOR SECTION SHOWN-INTERIOR SECTION SIMILAR EXCEPT OMIT S3 BARS.

TYPICAL SECTION



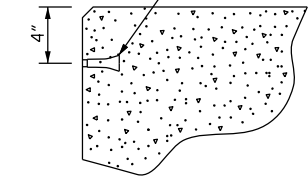
SECTION AT END BENT

SECTION AT BENT

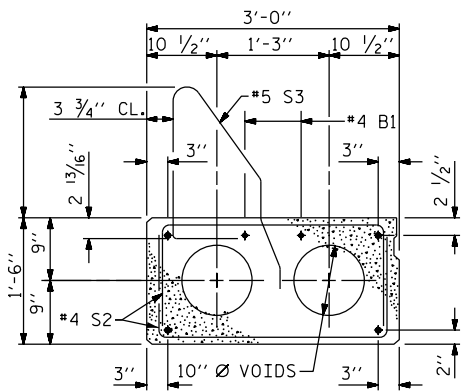
SECTION AT BENT

GROUTED RECESS AT END OF POST-TENSIONED STRAND-CORED SLABS

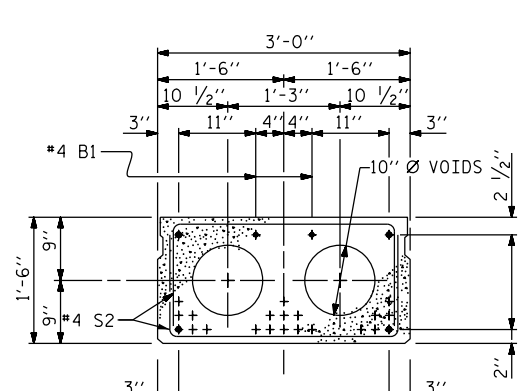
PERMITTED THREADED INSERT CAST IN OUTSIDE FACE OF EXTERIOR UNIT AND RECESSED 3/8" SIZE TO BE DETERMINED BY CONTRACTOR.



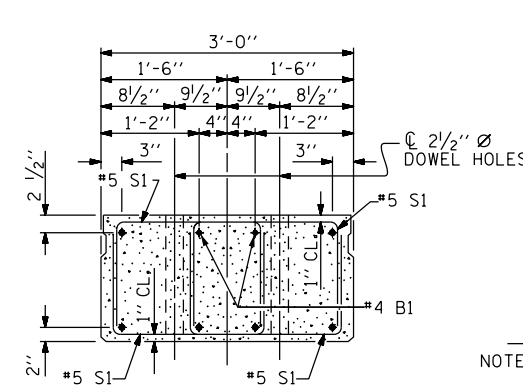
THREADED INSERT DETAIL



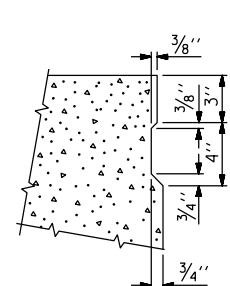
EXTERIOR SLAB SECTION
(FOR PRESTRESSED STRAND LAYOUT, SEE INTERIOR SLAB SECTION)



INTERIOR SLAB SECTION
0.6" Ø LOW RELAXATION STRAND LAYOUT



END ELEVATION
SHOWING PLACEMENT OF DOUBLE STIRRUPS AND LOCATION OF DOWEL HOLES (STRAND LAYOUT NOT SHOWN)
INTERIOR SLAB SECTION SHOWN-EXTERIOR SLAB SECTION SIMILAR EXCEPT SHEAR KEY LOCATION.



SHEAR KEY DETAIL

NOTE: OMIT SHEAR KEY ON OUTSIDE FACE OF EXTERIOR CORED SLABS.

PROJECT NO. _____ COUNTY _____
STATION: _____
SHEET _ OF _

STATE OF NORTH CAROLINA DEPARTMENT OF TRANSPORTATION RALEIGH						SHEET NO.
STANDARD						
3'-0" X 1'-6" PRESTRESSED CONCRETE CORED SLAB UNIT						
REVISIONS						
NO.	BY:	DATE:	NO.	BY:	DATE:	TOTAL SHEETS
1			3			
2			4			

ASSEMBLED BY :	DATE :	MAA/GM
CHECKED BY :	DATE :	RWW/TMG
DRAWN BY : WJH 4/89	REV. 10/1/11	MAA/THC
CHECKED BY : FCJ 5/89	REV. 8/14	
	REV. 12/17	

DOCUMENT NOT CONSIDERED FINAL UNLESS ALL SIGNATURES COMPLETED